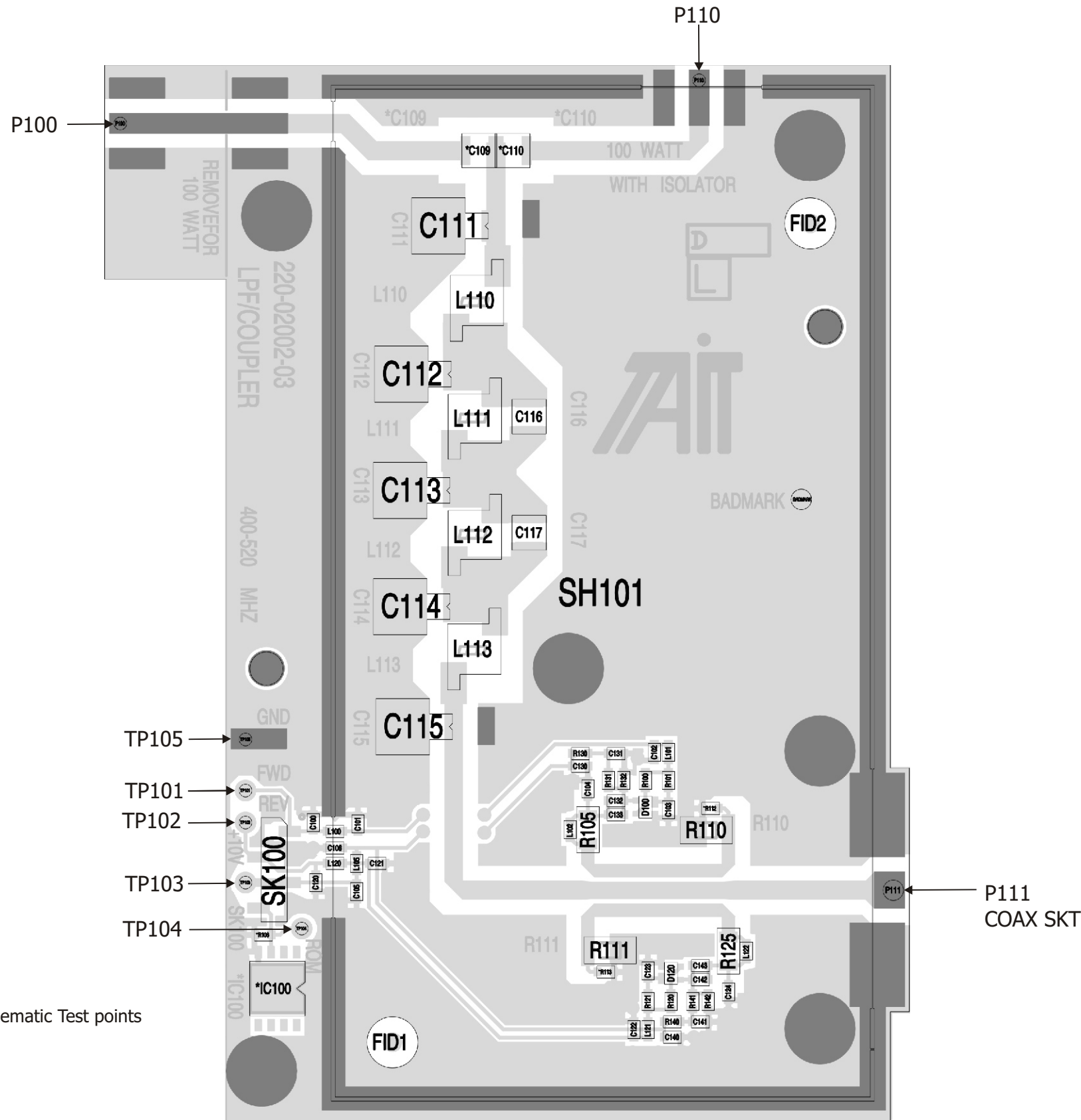


PA LPF, Directional coupler PCB Test Points [220-02002-03]

Connector PIN outs

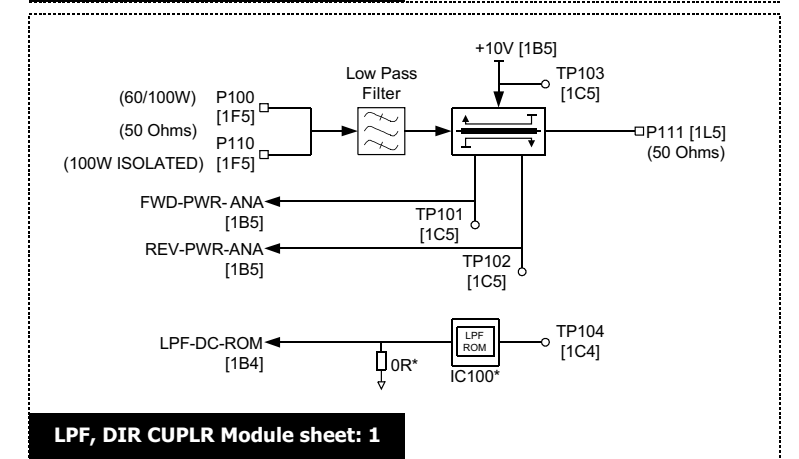
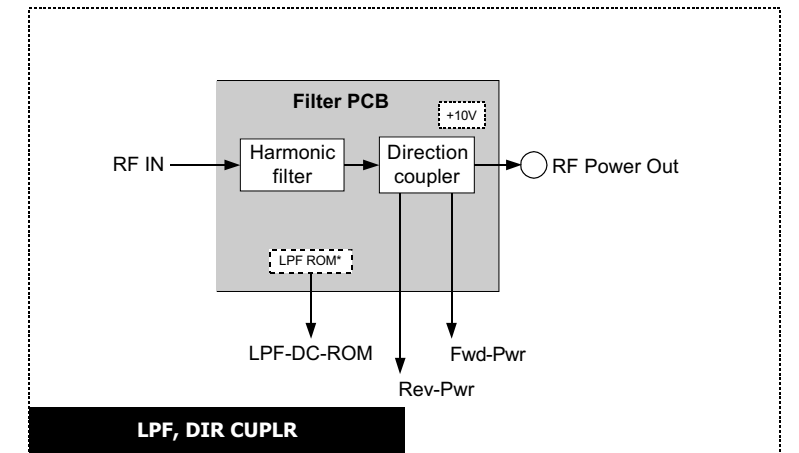
50W Control SK100
 1: FWD-PWR-ANA
 2: REV-PWR-ANA
 3: +10V
 4: 0 ohms to GND / LPF-DC-ROM*

60W / 100W P100
 100W with isolator P101

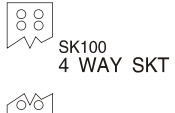
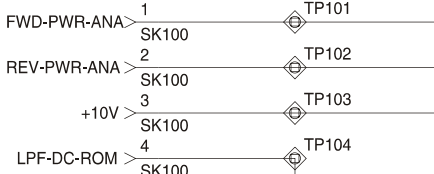
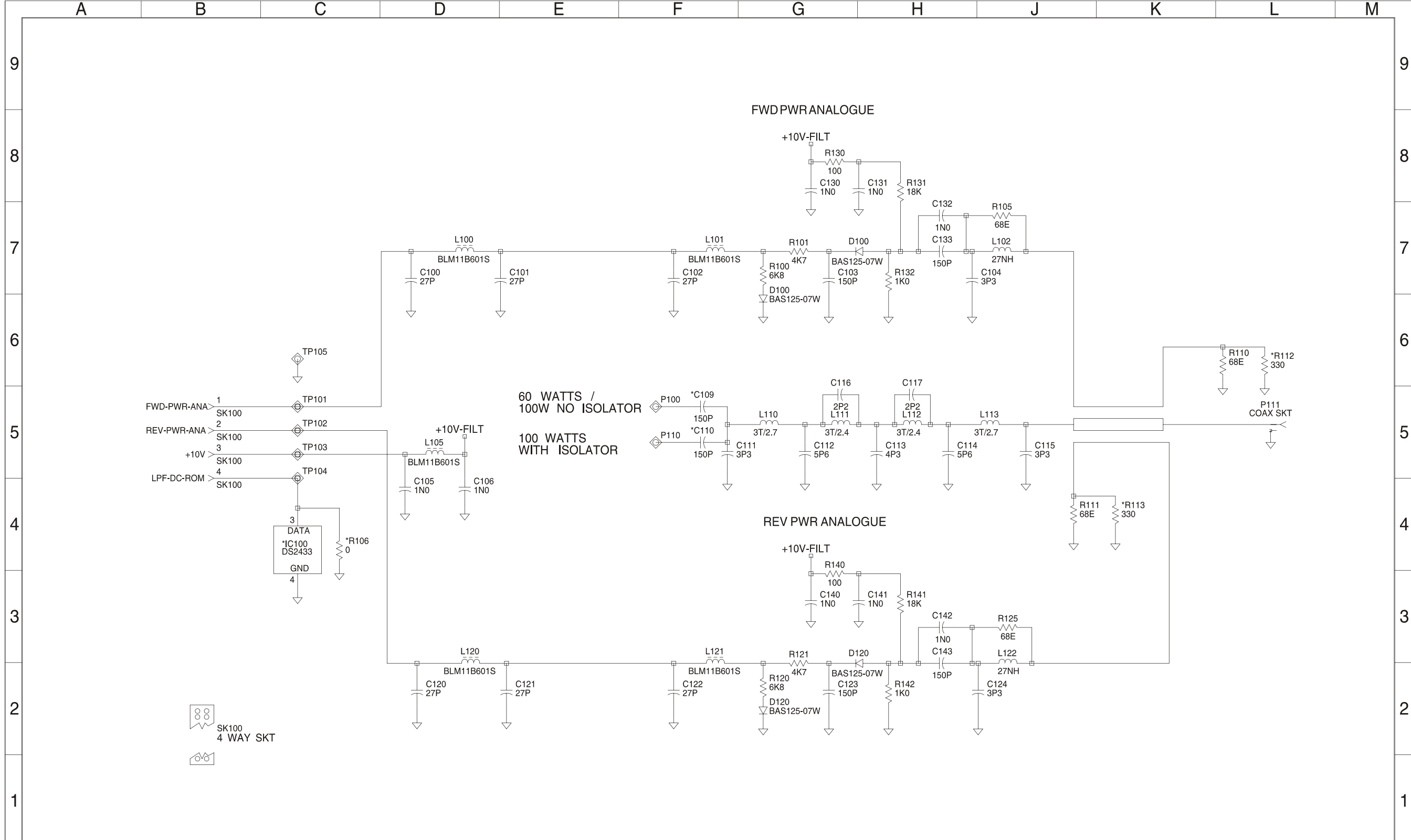


T8000 UHF PA 60W Module Schematic Test points

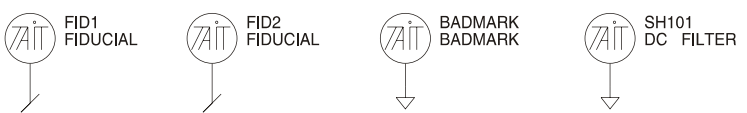
CCT Sheet 1
 TP101[1C5] FWD-PWR-ANA
 TP102[1C5] REV-PWR-ANA
 TP103[1C5] +10V
 TP104[1C4] LPF-DC-ROM (Not Fitted)
 TP105[1C6] GND



LPF, DIR CUPLR Module sheet: 1



03C	DCO	02002-004	CJK	OW		29-04-03
03B	DCO	02002-003	CJK	OW		17-02-03
03A	DCO	02002-002	CJK	OW		21-01-03
02A	DCO	02002-001	CJK	OW		26-09-02
01A	ORIGINAL	- CLONED - 226-00202-09	TB			20-05-02
REVISS	AMENDMENTS		DRAWN	CHKD	D.O.	APVD DATE



© TAIT ELECTRONICS					
TB8000					
LPF, DIRECTIONAL COUPLER PCB					
IPN:	ISSUE:	ID:			
220-02002-03	C	2.SC. 1			
PROJECT:	DESIGNER:	FILE NAME:	FILE DATE:	NO. SHEETS:	
TB8000	OW	0200203c	29-Apr-03	1	